





CHART NO: 2741b

BOOM RATED LOADS (t)  
WITH OUTRIGGERS USED

KAWASAKI 60-2

STATIONARY LIFTING PICKING AND CARRYING(2km/h end less)

OPERATING RADIUS (m)	BOOM LENGTH (m)										OPERATING RADIUS (m)											
	6.7		11.3		15.9		20.4		20.4													
	FRONT	WHOLE AROUND	FRONT	WHOLE AROUND	FRONT	WHOLE AROUND	FRONT	WHOLE AROUND	FRONT	WHOLE AROUND												
3.0	7.80	3.60	7.80	3.70	3.00	6.80	7.00	3.80	5.30	5.30	5.30	5.30	5.90	3.60	5.30	4.70	2.80	4.90	4.90	2.45	2.45	3.0
3.5	6.80	2.85	6.80	3.00	3.00	6.80	6.00	3.00	5.30	5.30	5.30	5.30	5.10	2.70	4.70	4.70	2.80	4.90	4.90	2.45	2.45	3.5
4.0	6.00	2.30	6.00	2.30	2.40	6.00	6.00	2.40	5.30	5.30	5.30	4.40	2.10	4.10	4.10	4.10	2.30	4.60	4.60	2.45	2.45	4.0
4.5	5.40	1.80	5.20	1.90	2.00	5.40	5.40	2.00	5.30	5.30	5.30	3.90	1.70	3.40	3.40	3.40	1.80	3.90	3.90	2.00	2.00	4.5
5.0	4.40	1.55	4.40	1.55	1.65	4.50	4.50	1.65	4.40	4.40	4.40	3.20	1.40	2.80	2.80	2.80	1.50	3.30	3.30	1.70	1.70	5.0
5.5	3.70	1.30	3.70	1.30	1.35	3.80	3.80	1.35	3.60	3.60	3.60	2.70	1.15	2.40	2.40	2.40	1.20	2.80	2.80	1.40	1.40	5.5
6.0	3.20	1.00	3.20	1.00	1.10	3.30	3.30	1.10	3.20	3.20	3.20	2.30	0.95	2.10	2.10	2.10	1.00	2.40	2.40	1.20	1.20	6.0
6.5	2.80	0.85	2.80	0.85	0.90	2.85	2.85	0.90	2.90	2.90	2.90	1.90	0.82	1.85	1.85	1.85	0.90	2.10	2.10	1.00	1.00	6.5
7.0	2.40	0.70	2.40	0.70	0.74	2.40	2.40	0.74	2.60	2.60	2.60	1.70	0.65	1.60	1.60	1.60	0.74	1.80	1.80	0.90	0.90	7.0
7.5	2.10	0.53	2.10	0.53	0.55	2.20	2.20	0.55	2.40	2.40	2.40	1.50	0.53	1.40	1.40	1.40	0.55	1.60	1.60	0.70	0.70	7.5
8.0	1.85	0.41	1.85	0.41	0.41	1.85	1.85	0.41	2.10	2.10	2.10	1.30	0.41	1.30	1.30	1.30	0.41	1.40	1.40	0.60	0.60	8.0
9.0	1.45		1.45			1.52	1.52		1.70	1.70	1.70	1.00		1.00	1.00	1.00		1.20	1.20	0.40	0.40	9.0
10.0			1.23			1.23	1.23		1.40	1.40	1.40	0.82		0.82	0.82	0.82		0.95	0.95	0.24	0.24	10.0
11.0			0.95			0.95	0.95		1.15	1.15	1.15	0.50		0.50	0.50	0.50		0.80	0.80			11.0
12.0			0.78			0.78	0.78		0.95	0.95	0.95	0.45		0.45	0.45	0.45		0.65	0.65			12.0
13.0			0.61			0.61	0.61		0.82	0.82	0.82	0.30		0.30	0.30	0.30		0.53	0.53			13.0
14.0						0.65	0.65		0.65	0.65	0.65							0.45	0.45			14.0
15.0						0.53	0.53		0.53	0.53	0.53							0.30	0.30			15.0
16.0						0.41	0.41		0.41	0.41	0.41							0.25	0.25			16.0
17.0						0.28	0.28		0.28	0.28	0.28							0.20	0.20			17.0
	0°	0°	11°	29°	48°	19°	22°	55°	0°	0°	11°	29°	48°	19°	22°	55°	0°	22°	48°	22°	55°	MIN. BOOM ANGLE

# KOBELCO RK160-2

CHART NO: 2741C 75%

JIB & BOOM RATED LOAT (t)  
WITH OURIGGERS USE (OPTIONAL)

JIB ANGLE / BOOM ANGLE		OUTRIGGERS MAX. EXTENDED (WHOLE AROUND)		
		5°	17°	30°
80°		1.65	1.23	0.95
75°		1.65	1.23	0.95
70°		1.65	1.23	0.95
65°		1.30	1.00	0.91
60°		1.10	0.89	0.84
55°		0.94	0.80	0.75
50°		0.82	0.71	0.67
45°		0.71	0.64	0.61
40°		0.61	0.57	0.55
35°		0.53	0.51	0.48
30°		0.46	0.44	0.42
25°		0.39	0.37	
20°		0.30	0.31	
15°		0.28		
10°		0.24		
5°		0.20		
MIN. BOOM ANGLE		5°	20°	30°

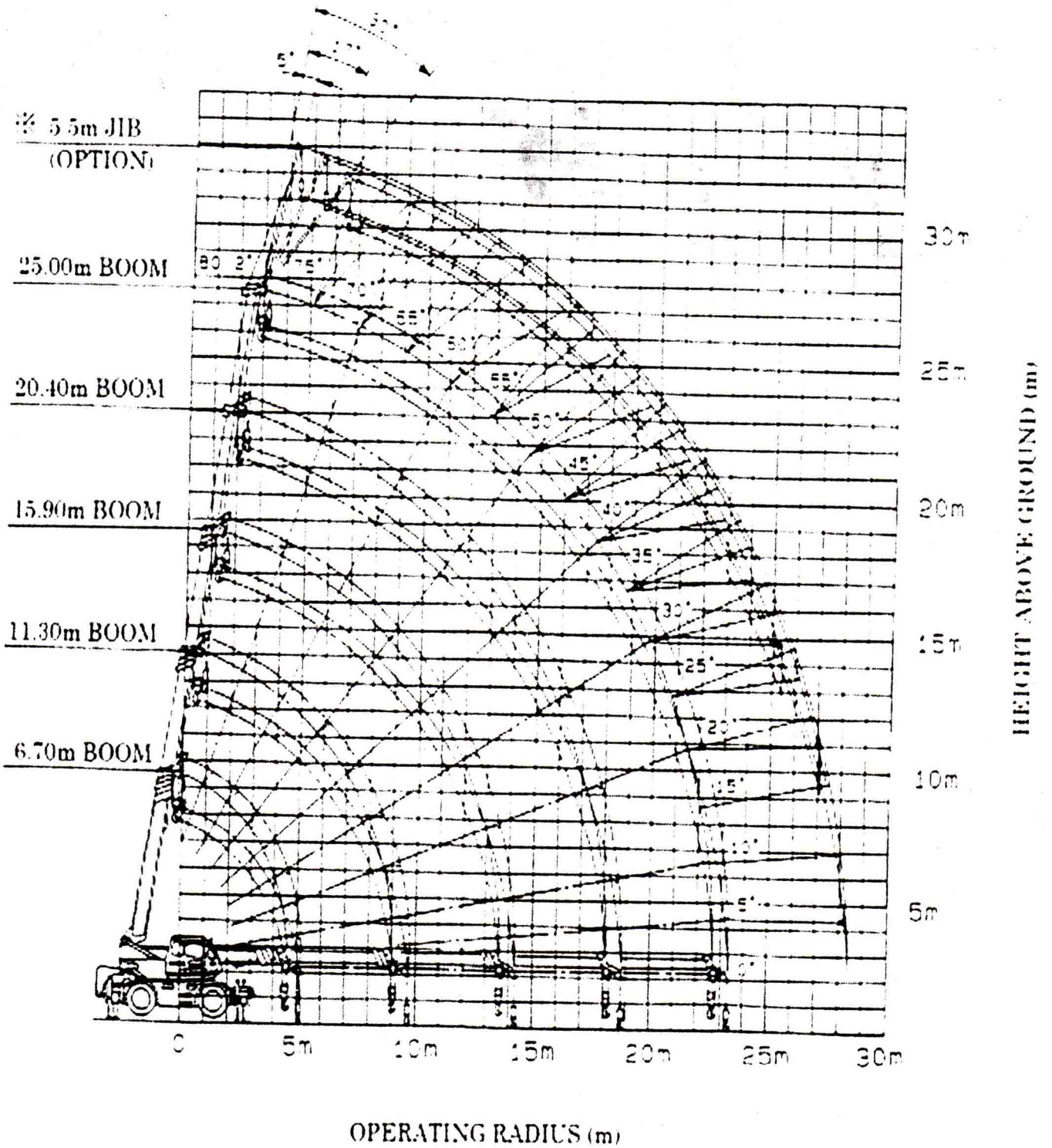
JIB ANGLE / BOOM ANGLE		OUTRIGGERS MID.(4.2m) EXTENDED (OVER SIDE)		
		5°	17°	30°
80°		1.65	1.23	0.95
75°		1.65	1.23	0.95
70°		1.65	1.23	0.95
65°		1.30	1.00	0.87
60°		1.00	0.89	0.76
55°		0.87	0.75	0.67
50°		0.70	0.64	0.56
45°		0.53	0.51	0.47
40°		0.41	0.40	0.37
35°		0.28	0.28	0.25
30°		0.20		
MIN. BOOM ANGLE		30°	35°	35°

JIB ANGLE / BOOM ANGLE		OUTRIGGERS MID.(3.2m) EXTENDED (OVER SIDE)		
		5°	17°	30°
80°		1.65	1.23	0.95
75°		1.65	1.23	0.95
70°		1.65	1.23	0.95
65°		1.23	0.94	0.82
60°		0.80	0.68	0.64
55°		0.53	0.47	0.46
50°		0.35	0.33	0.30
45°		0.18		
MIN. BOOM ANGLE		45°	50°	50°

## 2 WORKING RANGE DIAGRAM

### 4-TYPE OUTRIGGER

(Note) This diagram does not include deflection of the boom.



2.5 GENERAL DIMENSIONS  
 (1) MACHINE WITH H-TYPE OUTRIGGERS

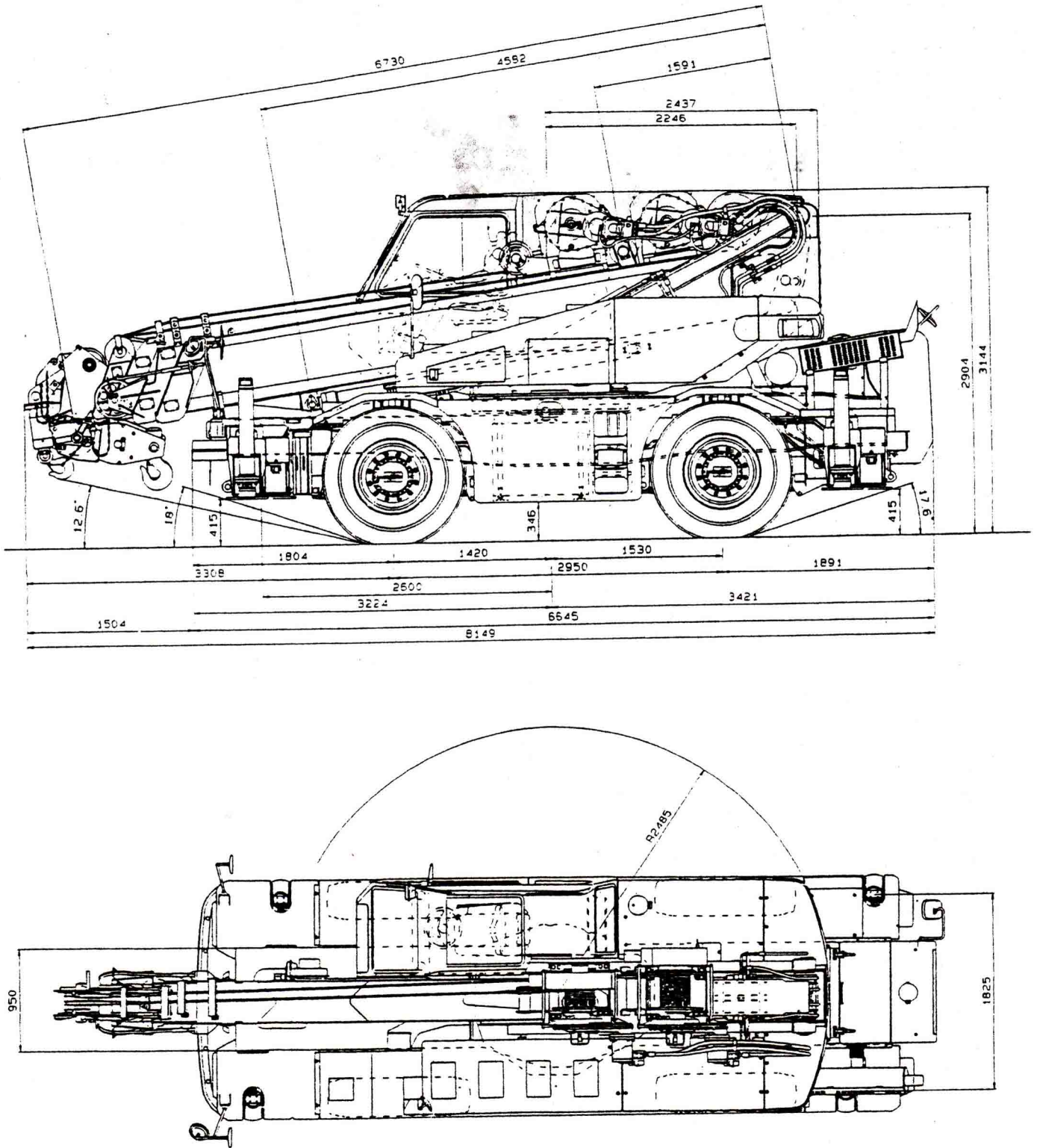


Fig.2.1 General Dimensions in mm (1/2)

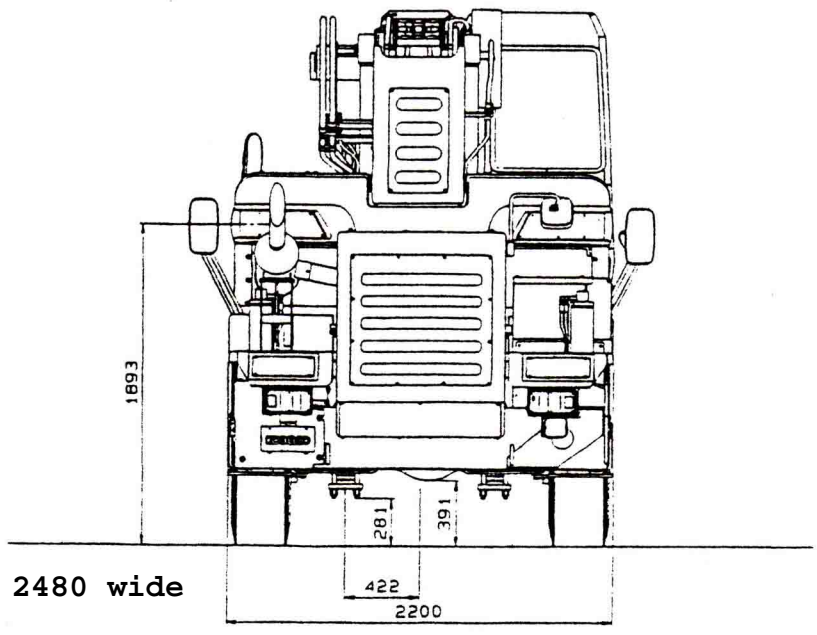
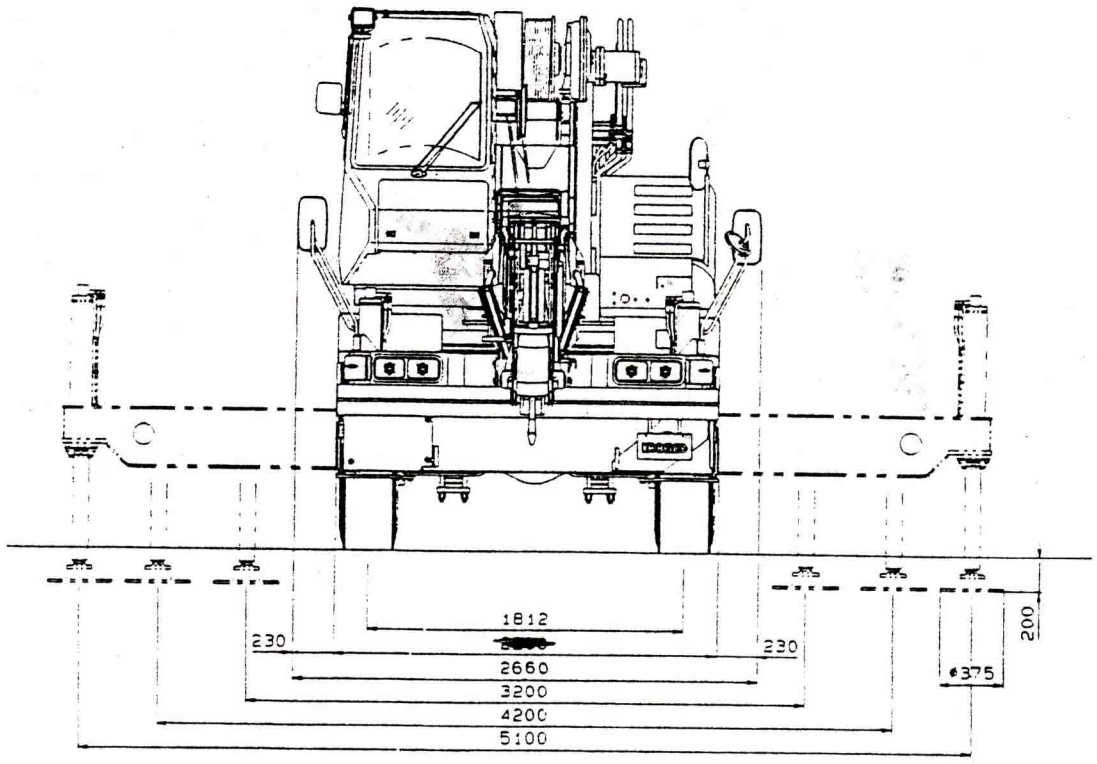


Fig.2.1 General Dimensions in mm (2/2)